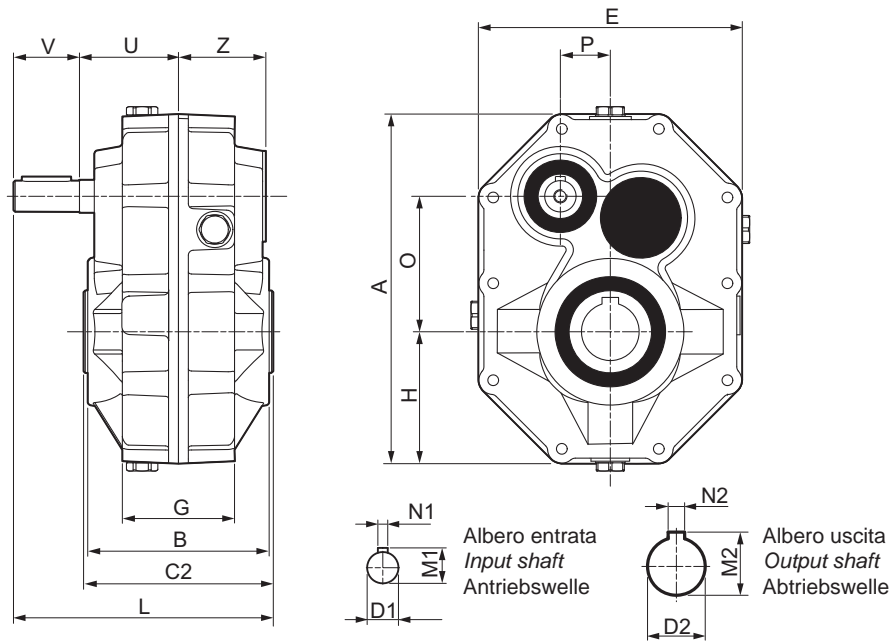




5.7 Dimensioni

5.7 Dimensions

5.7 Abmessungen



| MA        |           |      |           |      |           |      |           |      |           |      |           |      |           |       |
|-----------|-----------|------|-----------|------|-----------|------|-----------|------|-----------|------|-----------|------|-----------|-------|
|           | 63B       |      | 80B       |      | 100B      |      | 125B      |      | 140B      |      | 160B      |      | 180B      |       |
| <b>A</b>  | 212       |      | 255       |      | 305       |      | 367       |      | 425       |      | 490       |      | 570       |       |
| <b>B</b>  | 110       |      | 126       |      | 150       |      | 175       |      | 202       |      | 252       |      | 288       |       |
| <b>C2</b> | 115       |      | 130       |      | 155       |      | 180       |      | 210       |      | 260       |      | 300       |       |
| <b>D2</b> | <b>35</b> | 38   | <b>40</b> | 45   | <b>50</b> | 55   | <b>60</b> | 65   | <b>70</b> | 75   | <b>80</b> | 85   | <b>90</b> | 100   |
| <b>M2</b> | 38.3      | 41.3 | 43.3      | 48.8 | 53.8      | 59.3 | 64.4      | 69.4 | 74.9      | 79.9 | 85.4      | 90.4 | 95.4      | 106.4 |
| <b>N2</b> | 10        | 10   | 12        | 14   | 14        | 16   | 18        | 18   | 20        | 20   | 22        | 22   | 25        | 28    |
| <b>E</b>  | 160       |      | 190       |      | 224       |      | 270       |      | 310       |      | 367       |      | 440       |       |
| <b>G</b>  | 68        |      | 82        |      | 102       |      | 118       |      | 134       |      | 166       |      | 200       |       |
| <b>H</b>  | 80        |      | 95        |      | 112       |      | 135       |      | 155       |      | 183.5     |      | 220       |       |
| <b>O</b>  | 82.13     |      | 96.6      |      | 118.35    |      | 139.36    |      | 161.11    |      | 187.76    |      | 212.86    |       |
| <b>P</b>  | 30.27     |      | 35.97     |      | 41.79     |      | 50.66     |      | 60.36     |      | 72.89     |      | 79.62     |       |
| <b>D1</b> | 19        |      | 24        |      | 28        |      | 38        |      | 38        |      | 42        |      | 48        |       |
| <b>M1</b> | 21.5      |      | 27        |      | 31        |      | 41        |      | 41        |      | 45        |      | 51.5      |       |
| <b>N1</b> | 6         |      | 8         |      | 8         |      | 10        |      | 10        |      | 12        |      | 14        |       |
| <b>V</b>  | 40        |      | 50        |      | 60        |      | 80        |      | 80        |      | 80        |      | 80        |       |
| <b>L</b>  | 157.5     |      | 182.5     |      | 217.5     |      | 262.5     |      | 292.5     |      | 342.5     |      | 382.5     |       |
| <b>U</b>  | 60        |      | 67.5      |      | 80        |      | 92.5      |      | 107.5     |      | 132.5     |      | 152.5     |       |
| <b>Z</b>  | 53        |      | 61        |      | 73        |      | 85        |      | 94        |      | 119       |      | 134       |       |
| <b>Kg</b> | 12        |      | 18        |      | 30        |      | 51        |      | 73        |      | 120       |      | 190       |       |