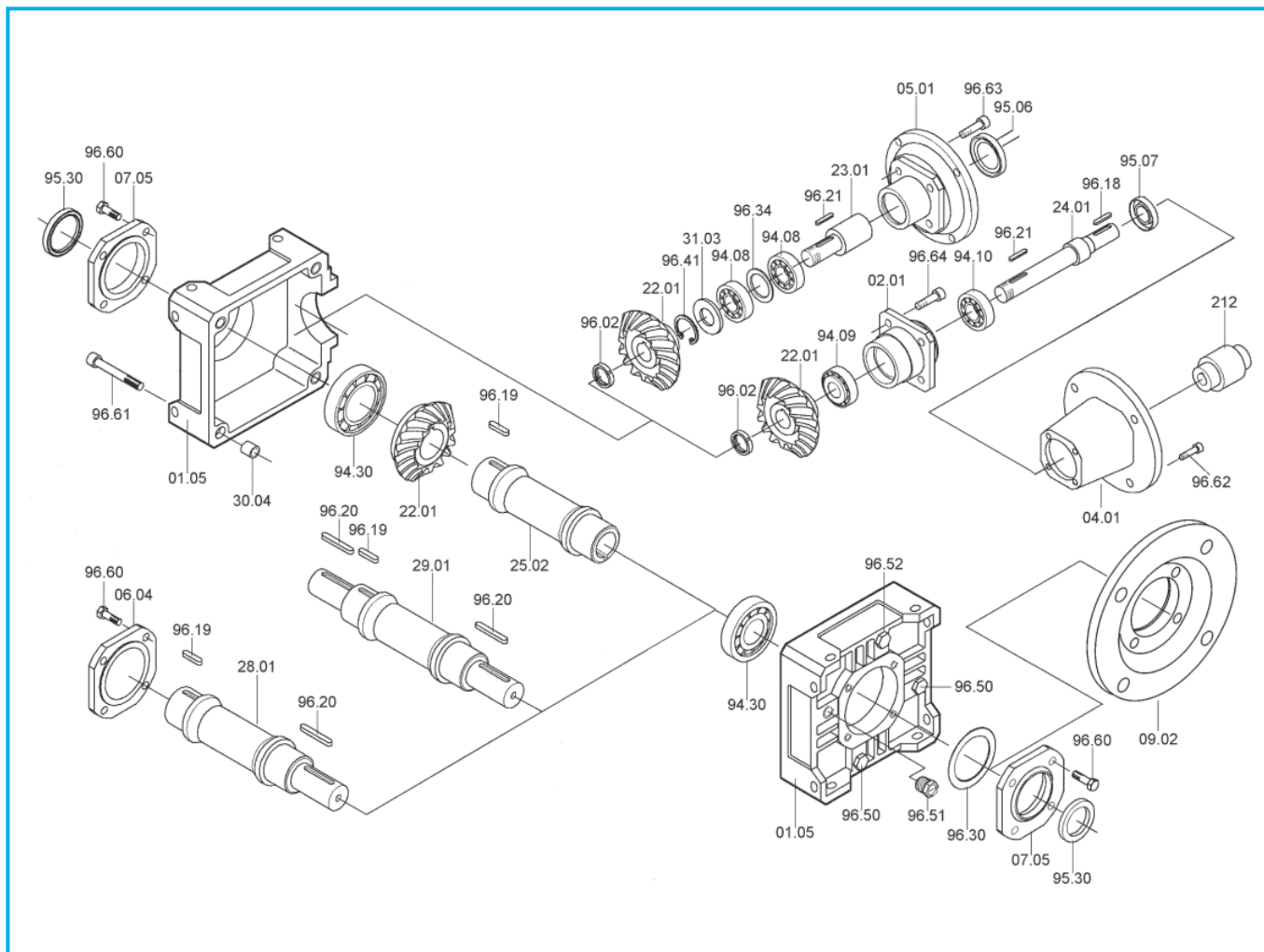
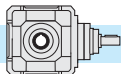


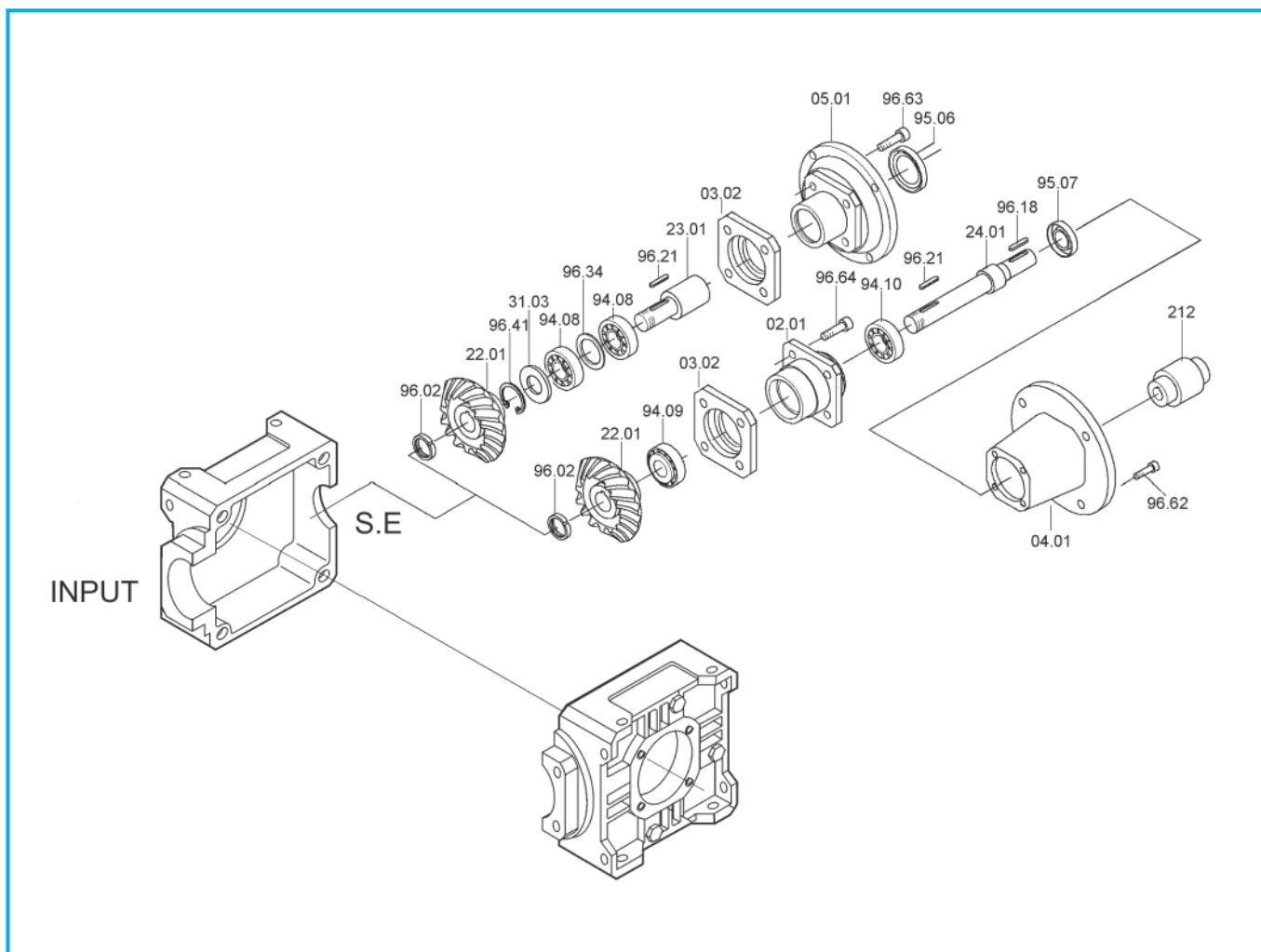
RA - RC - RF (in = 1)



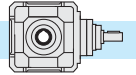
RA - RC - RF in = 1:1	Cuscinetti/ Bearings / Lager			Anelli di tenuta / Oilseals / Öldichtungen			
	RA - RC - RF	RA - RF	RC	RA - RC - RF	RC		RA - RF
	94.30	94.10 - 94.09	94.08	95.30	IEC	95.06	95.07
19	6206 30/62/16	30203 17/40/13.25	7203 17/40/12	30/47/7	63	25/52/7	20/40/7
					71	30/52/7	
					80	35/52/7	
					90	37/52/8	
24	6207 35/72/17	32005 25/47/15	7205 25/52/15	35/52/7	71 - 80	35/62/7	30/47/7
					90	40/62/7	
					100 - 112	45/62/8	
28	6208 40/80/18	32006 30/55/17	7206 30/62/16	40/62/8	80 - 90	40/72/7	35/58/10
					100 - 112	45/72/8	
					132	55/72/10	
					80 - 90	45/80/10	
38	6211 55/100/21	32007 35/62/18	7207 35/72/17	55/72/10	100 - 112	45/80/10	40/62/7
					132	55/80/10	
					160	60/80/8	
					180	65/80/8	
48	6213 65/120/23	32009 45/75/20	7209 45/85/19	65/90/10	100 - 112	55/100/13	55/80/8
					132 - 160	60/100/10	
					180	65/100/10	
					200	75/100/10	



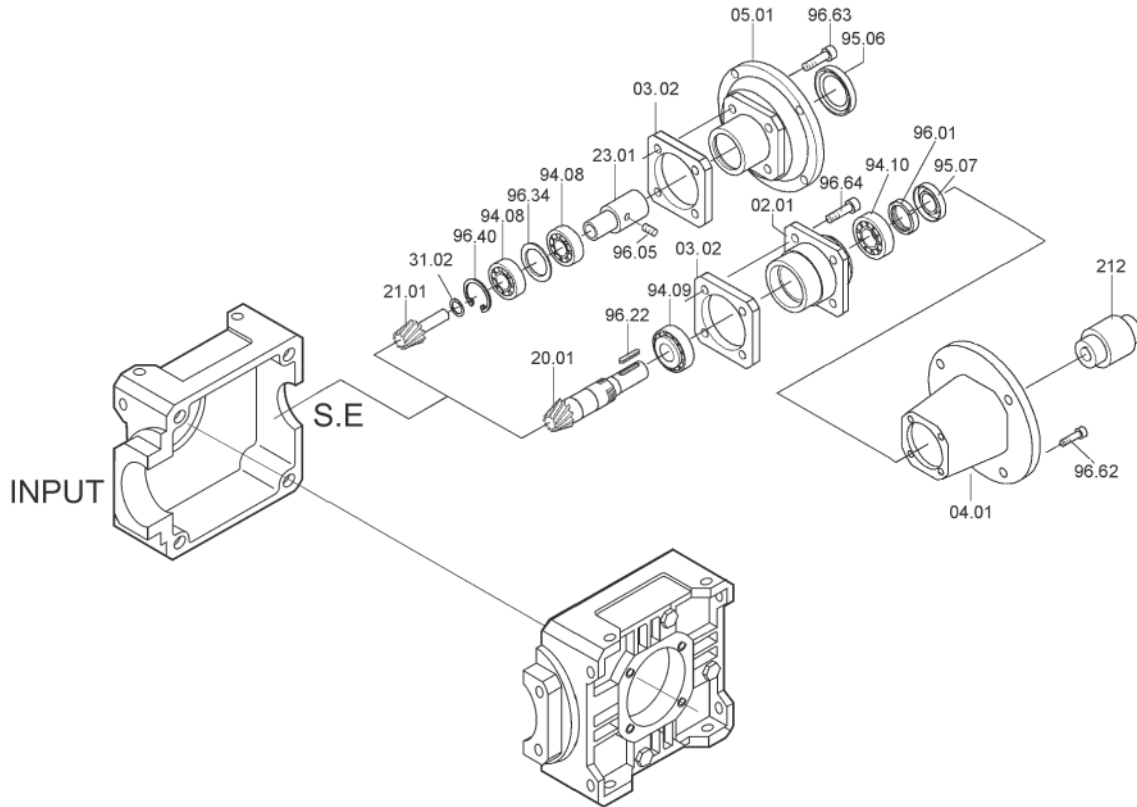
RA - RC - RF (in = 1) s.e.



RA - RC - RF in = 1:1 S.E	Cuscinetti/ Bearings / Lager		Anelli di tenuta / Oilseals / Öldichtungen		
	RA - RF	RC	RC		RA - RF
	94.10 - 94.09	94.08	IEC	95.06	95.07
19	32003 17/40/13.25	7203 17/40/12	63	25/52/7	20/40/7
			71	30/52/7	
			80	35/52/7	
			90	37/52/8	
24	32005 25/47/15	7205 25/52/15	71 - 80	35/62/7	30/47/7
			90	40/62/7	
			100 - 112	45/62/8	
28	32006 30/55/17	7206 30/62/16	80 - 90	40/72/7	35/58/10
			100 - 112	45/72/8	
			132	55/72/10	
			80 - 90	45/80/10	
38	32007 35/62/18	7207 35/72/17	100 - 112	45/80/10	40/62/7
			132	55/80/10	
			160	60/80/8	
			180	65/80/8	
			100 - 112	55/100/13	
48	32009 45/75/20	7209 45/85/19	132 - 160	60/100/10	55/80/8
			180	65/100/10	
			200	75/100/10	



RA - RC - RF (in > 1) s.e.



RA - RC - RF in > 1 S.E	Cuscinetti/ Bearings / Lager		Anelli di tenuta / Oilseals / Öldichtungen		
	RA - RF	RC	RC		RA - RF
	94.09 - 94.10	94.08	IEC	95.06	95.07
19	3203 17/40/13.25	7203 17/40/12	63	25/52/7	15/40/10
			71	30/52/7	
			80	35/52/7	
			90	37/52/8	
24	3205 25/47/15	7205 25/52/15	71 - 80	35/62/7	20/47/7
			90	40/62/7	
			100 - 112	45/62/8	
28	3206 30/55/17	7206 30/62/16	80 - 90	40/72/7	25/58/10
			100 - 121	45/72/8	
			132	55/72/10	
			80 - 90	45/80/10	
38	3207 35/62/18	7207 35/72/17	100 - 112	45/80/10	30/62/7
			132	55/80/10	
			160	60/80/8	
			180	65/80/8	
48	3209 45/75/20	7209 45/85/19	100 - 112	55/100/13	40/80/10
			132 - 160	60/100/10	
			180	65/100/10	
			200	75/100/10	